

A large outdoor deck with a hot tub, wicker furniture, and a view of mountains. The deck is made of light-colored wood and features a hot tub, a glass table with a silver bucket of drinks, and wicker chairs. The background shows a scenic view of mountains and a valley under a cloudy sky. A white line-art house icon is overlaid on the image.

Decking Installation Guide



ARBOR
WOOD^{CO}

THERMALLY MODIFIED WOOD

STORAGE & HANDLING

Arbor Wood Co. products should be stored indoors when possible and/or remain covered with a waterproof tarp until ready for installation. Boards must be stacked uniformly and elevated off the ground. Exposure to UV can cause the boards to become lighter in tone. Always remember to handle with care. Arbor Wood has a lower moisture content and the expansion/contraction is much less than standard wood, but it is still a good practice to ensure the wood has properly acclimated to local site conditions. It is recommended to have Arbor Wood Co. Products on site for one week prior to installation to acclimatize to the moisture of the environment.

COLOR

Thermal modification changes the naturally occurring sugars in the wood resulting in beautiful, rich tones which extend through the full thickness of the material. Since Arbor Wood is still a natural product and is subject to variations in weight, density, color, and grain. In an exterior environment, unfinished Arbor Wood products will move to gray. This does not impact the performance characteristics of the wood itself. The speed of this graying process depends on the intensity of exposure to environmental elements like the sun and rain combined with the type of application. To maintain the original color we recommend applying Cutek Extreme® along with a UV Colortone as Cutek Extreme® by itself is not UV resistant. A light sanding or application of Cutek Proclean will remove the surface silvering and restore the original wood tones. Product color and factory applied finishes are not covered under the product warranty.

FINISHING

Pre-finishing all deck boards prior to assembly is the only way to ensure that all 4 sides are coated evenly. It is highly recommended to coat all wood decking with Cutek Extreme® along with a UV Colortone prior to installation on all 6 sides. This process helps the wood acclimate more slowly and minimizes surface checking and wood movement. Even if your goal is to allow the wood to naturally gray or silver out over time, finishing at this point will help protect the wood when it is most vulnerable.

GRAIN PATTERN, CHECKS, & HAIRLINE CRACKS

As Arbor Wood is a natural wood product, there may be a variance in grain from board to board. It is also possible to observe some small surface checking and/or hairline cracks in the wood. These instances are a natural occurrence and are not a reason for a claim. Regular application of Cutek Extreme® can help minimize the occurrence of surface hairline cracks.

CARE & MAINTENANCE

It is important to ensure the surface of your wood remains clean. Black surface stains can be caused by dirt, debris, pollen and other airborne and microscopic elements resting on the surface of the material. Certain environments provide exceptional growing conditions for mold and fungus, conditions that often fall within, but are not limited to shaded decks or siding. This does not impact the integrity of the wood but it does mean you should be clearing the surface of your deck more often and taking additional preventative care considering surrounding conditions. It is important to remember the same occurrence can happen on any surface, such as rocks, glass, PVC, and composite products. This staining is removable with light pressure washing and a renewing/cleaning agent.



WARRANTY

Arbor Wood Co. products are covered under a limited 20-year Warranty. This Arbor Wood Co. warranty is made to the original purchaser of the Product(s) (the "Purchaser"); the original owner of the structure on which the Product(s) are installed; and to the next owner of that structure (together "Owner"). Arbor Wood Co. express warranties may not be assigned to any subsequent owners of the structure. Arbor Wood Co. warrants that the Product(s) will remain free from fungal degradation, buckling, structural failure, separating, and rupturing for a period of 20 years from the date the installation is completed. When the Product(s) have been stored, handled, applied, finished and maintained in accordance with Arbor Wood Co.'s installation, application, finishing and maintenance instructions in effect at the time of application. Color and applied finishes are not warranted. These warranties apply only to above-ground installations made in accordance with the instructions. Be sure to consult full product warranty for specific questions.

**FOR MORE INFORMATION, INCLUDING FULL WARRANTY,
HOW-TO VIDEOS & MORE, FOLLOW THE QR CODE BELOW**



Arbor Wood Decking Installation Information

DISCLAIMER

Consult your local building code to ensure your project is installed in accordance with local requirements and consult your local building office to understand permitting requirements. Drawings and schematics used to show where to place screws and nails are for reference purposes only. Safety glasses and a dust mask should always be worn when working with Arbor Wood. Drilling, sawing, sanding or machining wood products generates wood dust. Avoid inhaling wood dust or use a dust mask or other safeguards for personal protection. Arbor Wood Co. recommends end-sealing cut boards with a clear, water-resistant penetrating oil such as Cutek Extreme®.

Warning: Do not use a mallet or hammer to install Arbor Wood Co. siding products, doing so will void the warranty. Arbor Wood Co. siding is designed to have an expansion gap to allow the product to acclimate to the installation location.

CALCULATING CLIP NEEDS

Decking installation using Deckwise Ipe Clip® Extreme® Fastener Systems requires 175 clips and screws for 100 square feet (or 1.75 Clips/Square Foot). Kits are sold in quantities of 100, 175, 525, and 1,050. For more on calculating your needs visit the Coverage Calculator from Deckwise through the QR code provided



JOIST SPACING

Before installation ensure all deck joists are spaced evenly and level so that everything planes through appropriately. Consult your local building code for appropriate joist spacing. Arbor Wood Co. recommends 16" spacing on-center (middle of the joist to middle of the joist) for all decking products.

FACE FASTENING

When using non-grooved deck boards in a face fastened installation it is important to pre-drill the face of the board before fastening with an outdoor rated deck screw (stainless steel is recommended).

GROUND LEVEL & ROOFTOP DECKS

Arbor Wood Co. decking products should never be installed in contact with the ground or a rooftop surface. It is important to allow for regular airflow under the decking and to eliminate trapped moisture under the decking. A substructure frame must always be used when installing decking. Ensure a minimum of 4" of open area below decking surface for adequate ventilation. If skirting the deck, ensure there are areas or clearance for air to flow through.



DeckWise® Ipe-Clip® KD Extreme® Installation

Note: Stair treads and perimeter deck boards should be installed with traditional face fastening methods.

STEP 1: INSTALLING THE FIRST DECK BOARD

Apply DeckWise® JoistTape™ (recommended but not required) to the top of all joists. JoistTape™ prevents joist wood rot as well as seals around deck screws. Even though joists may seem even, changes in weather can cause board movement. JoistTape™ will also help prevent squeaking from uneven joists in the future.

STEP 2: DRILL A 1/8" PILOT HOLE

Use a 1/8 " drill bit to pre-drill a pilot hole for the initial face driven screws. Drill deep enough to penetrate the deck board and NOT the underlying joist material. (All Ipe Clip® Hidden Deck Fastener systems, 175 count and above, include a 1/8" High Speed Drill Bit. We suggest using the 3-in-1 DeckWise® Drill & Drive™ (not included in Ipe Clip® Fastener kits), which has a 1/8 " drill bit, 3/8 " countersink bit, and screw gun T15 tip that will help speed up this process).

STEP 3: DRILL A 3/8" COUNTERSINK HOLE APPROXIMATELY 3/8" DEEP (PLUG INSTALLATION ONLY)

Use a 3/8 " countersink bit to bore a hole approximately 1/4" to 3/8" deep (depending on your deck board thickness) for each screw to be hidden by a hardwood plug. Be sure your countersink bit is sharp and leaves a clean edge. If using trim head screws, proceed to step 4.

STEP 4: DRIVE A DECK SCREW THROUGH THE COUNTERSUNK HOLE

Next, securely drive a deck screw down into the countersunk hole into the joist below. (All Ipe Clip® fastener kits, 175 count and above, have extra stainless steel deck screws included in them for starter boards.) Wood plugs will next be installed into the holes to hide the deck screws and create a smooth, blemish free surface.

STEP 5: INSERT WOOD PLUG IN COUNTERSUNK HOLE

Place a dab of wood glue (Gorilla Glue® is suggested) into the countersink hole from the above steps. This will secure the wood plug from popping up in the future. Plus, it will act as a moisture barrier, sealing the countersunk hole and screw. Insert wood plug while glue is still moist.

STEP 6: FLUSH CUT ANY PLUG MATERIAL

Once the plug is hammered in and the glue is dry, remove any excess plug material protruding above the surface of the deck board. You can accomplish this by using a flush cut pull saw, belt sander or an orbital sander with 80 grit sand paper.

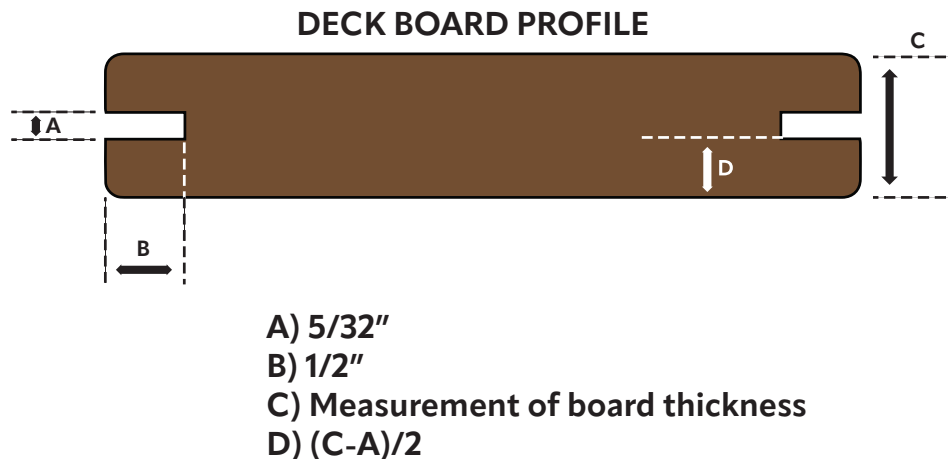
STEP 7: SAND FOR HARDWOOD

Sand smooth all areas where a plug was installed so that plug is flush with deck surface. A round, random orbit sander with 80-120 grit sandpaper works best.

STEP 8: PROCEED WITH DECK BOARD INSTALLATION

Run the stainless steel screws straight down through the center of the Ipe Clip® fastener and into the joist. It should not take much torque to fasten the deck board. Once the board is snug to the joist you can install the next fastener on the next joist. A screw gun with a clutch setting works great for this as you can turn the clutch down to avoid overdriving screws. Fasten each board using one fastener and one screw per joist.

continued next page



DeckWise® Ipe-Clip® KD Extreme® Installation (contd)

STEP 9: PROCEED WITH NEXT BOARD

Slide the next deck board onto the installed Ipe Clip® fastener protruding from the previous deck board. This next board will also have Ipe Clip® hidden fasteners installed on its opposite edge for fastening, and so forth.

END-TO-END-BOARDS: HOW TO INSTALL "BUTT JOINTS" (HARDWOOD & COMPOSITE DECK MATERIAL)

Where two boards meet on a single joist, the preferred method is to use a sister joist parallel to the main joist. Install 2 (two) Ipe Clip® Hidden Deck Fasteners — one on each joist — where the boards meet. However, only one centered fastener can be installed at their meeting point.

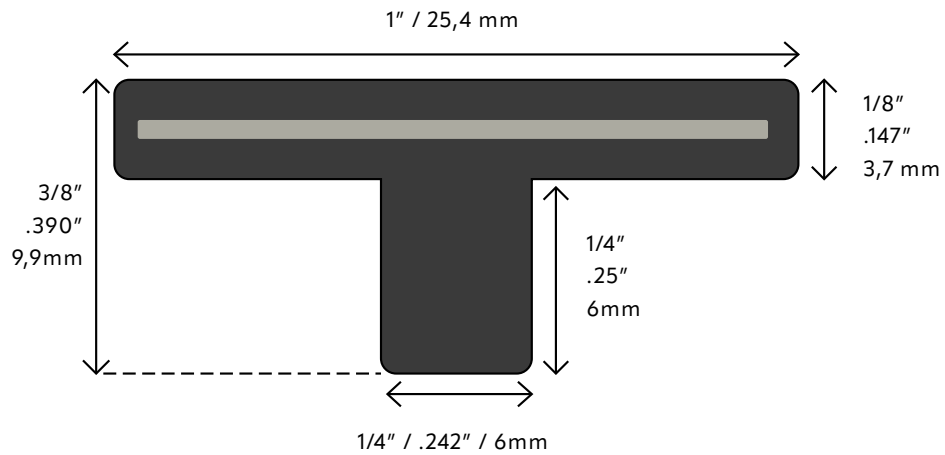
NOTE: When using Ipe Clip® ExtremeKD® fasteners, use the DeckWise® Deck Spacer tools provided to ensure that fastener legs are not crushed while keeping your deck boards tight. Remove spacer tools as soon as any deck board is fastened.

STEP 10: INSTALLING THE LAST DECK BOARD

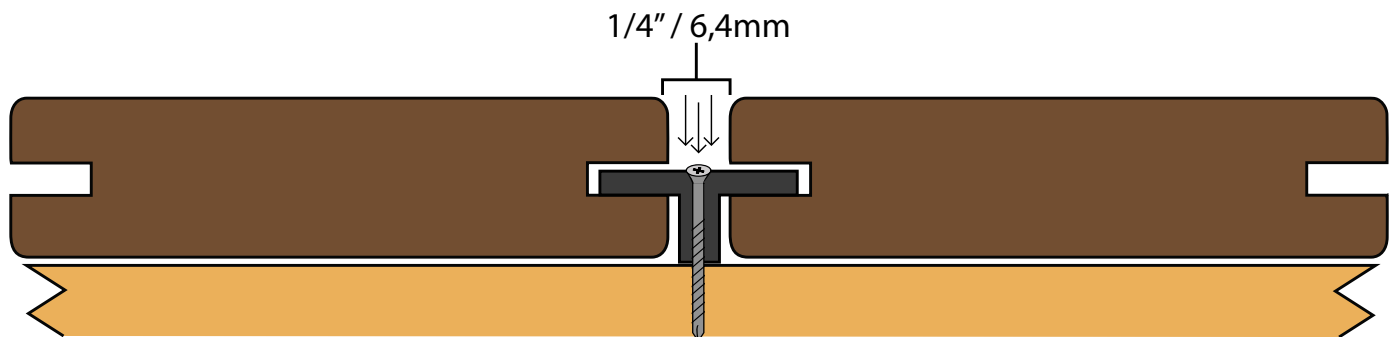
On the last deck board, fastening clips will not be used and it is necessary to fasten the outside edge with surface screws. These surface screws can be concealed by countersinking a 3/8" hole and using the wood plugs supplied. It is also recommended to apply a small amount of construction adhesive on the outside joist for securing the last or outside edge deck boards.



DeckWise® Ipe-Clip® KD Extreme® Details



MATERIAL	STAINLESS STEEL INSERT	COLOR
POLYETHYLENE	.883" X .883" THICKNESS: .036" --- 22,4MM X 22,4MM THICKNESS: 9MM	BLACK



Traditional Face Fastening Installation For Non-Grooved Deckboards

STEP 1: INSTALLING THE FIRST DECK BOARD

Apply DeckWise® JoistTape™ (recommended but not required) to the top of all joists. JoistTape™ prevents joist wood rot as well as seals around deck screws. Even though joists may seem even, changes in weather can cause board movement. JoistTape™ will also help prevent squeaking from uneven joists in the future.

STEP 2: DRILL A 1/8" PILOT HOLE

Use a 1/8 " drill bit to pre-drill a pilot hole for the initial face driven screws. Drill deep enough to penetrate the deck board and NOT the underlying joist material.

STEP 3: DRILL A 3/8" COUNTERSINK HOLE APPROXIMATELY 3/8" DEEP (PLUG INSTALLATION ONLY)

Use a 3/8 " countersink bit to bore a hole approximately 1/4" to 3/8" deep (depending on your deck board thickness) for each screw to be hidden by a hardwood plug. Be sure your countersink bit is sharp and leaves a clean edge. If using trim head screws, proceed to step 4.

STEP 4: DRIVE A DECK SCREW THROUGH THE COUNTERSUNK HOLE

Next, securely drive a deck screw down into the countersunk hole into the joist below. Wood plugs will next be installed into the holes to hide the deck screws and create a smooth, blemish free surface.

STEP 5: INSERT WOOD PLUG IN COUNTERSUNK HOLE

Place a dab of wood glue into the countersink hole from the above steps. This will secure the wood plug from popping up in the future. Plus, it will act as a moisture barrier, sealing the countersunk hole and screw. Insert wood plug while glue is still moist.

STEP 6: FLUSH CUT ANY PLUG MATERIAL

Once the plug is hammered in and the glue is dry, remove any excess plug material protruding above the surface of the deck board. You can accomplish this by using a flush cut pull saw, belt sander or an orbital sander with 80 grit sand paper.

STEP 7: SAND FOR HARDWOOD

Sand smooth all areas where a plug was installed so that plug is flush with deck surface. A round, random orbit sander with 80-120 grit sandpaper works best.

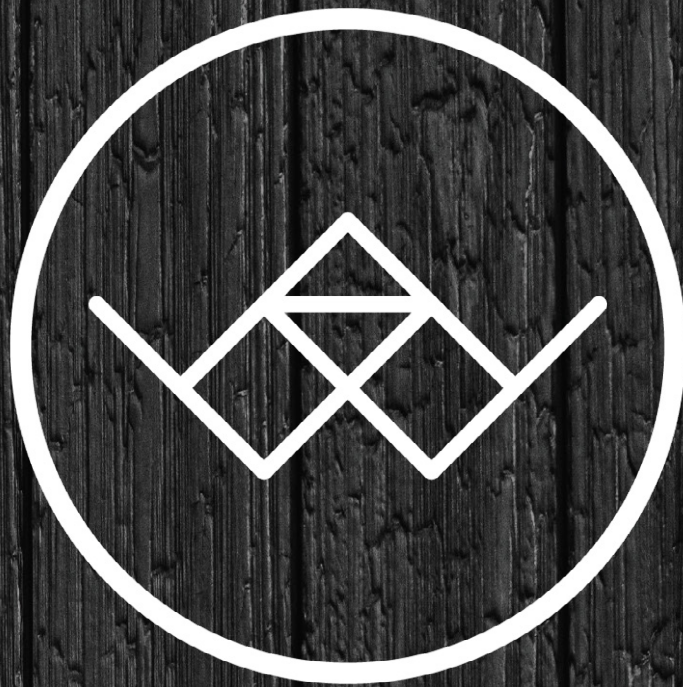
STEP 8: PROCEED WITH DECK BOARD INSTALLATION

Install each deck board using a ¼ inch spacer to allow for proper spacing. Pre-drilling is recommended for Arbor Wood Co. Decking. To avoid splitting do not install deck screws within 1" of the edge and ends of deck boards. Follow steps 1-8 for each board if using plugs.

STEP 9: INSTALLING THE LAST DECK BOARD

Install the last deck board in the same fashion as the first board. It is also recommended to apply a small amount of construction adhesive on the outside joist for securing the last or outside edge deck boards.





Arbor Wood. **For Good.**

Arbor Wood Co.
1025 London Road
Duluth, MN 55802
855-414-2727

arborwoodco.com



**MADE IN
THE USA**